

Axial Power Choke Coils - AS0812U SERIES



PART NUMBERING SYSTEM

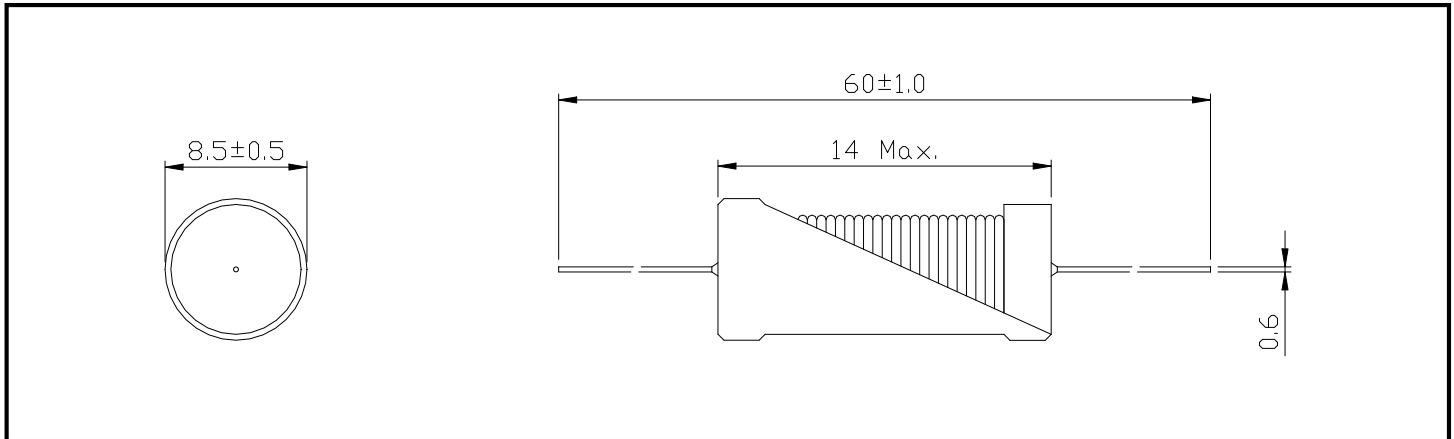
AS	0812U	—	101K	—	LF
TYPE	DIMENSIONS		INDUCTANCE		LEAD FREE

U : UL Tube

P : PVC Tube

SHAPES AND DIMENSIONS

UNIT : mm



STRUCTURAL DIAGRAM :

COMPONENT	MATERIALS
1.Core	Ferrite core
2.Wire	Polyurethane enameled copper wires
3.Lead wire	Tinned copper wires
4.Tube	Heat shrinkable tube, PVC or UL
5.Glue	Epoxy resin



Axial Power Choke Coils - AS0812U SERIES



SPECIFICATION TABLE

PART NUMBER	INDUCTANCE (μ H)	Q (min)	DCR (Ω) (max)	IDC (mA) (max)	SRF(MHz) (min)	TEST FREQ. (Freq.)
AS0812-1R0M-LF	1.0	120	0.02	3400	145	7.96MHz
AS0812-1R2M-LF	1.2	120	0.02	3400	135	7.96MHz
AS0812-1R5M-LF	1.5	130	0.02	3400	126	7.96MHz
AS0812-1R8M-LF	1.8	130	0.02	3400	113	7.96MHz
AS0812-2R2M-LF	2.2	130	0.02	3300	111	7.96MHz
AS0812-2R7M-LF	2.7	130	0.03	3000	100	7.96MHz
AS0812-3R3M-LF	3.3	120	0.03	2800	53	7.96MHz
AS0812-3R9M-LF	3.9	120	0.03	2800	45	7.96MHz
AS0812-4R7M-LF	4.7	100	0.03	2400	35	7.96MHz
AS0812-5R6M-LF	5.6	90	0.03	2400	27	7.96MHz
AS0812-6R8M-LF	6.8	90	0.04	2300	21	7.96MHz
AS0812-8R2M-LF	8.2	80	0.04	2100	18	7.96MHz
AS0812-100K-LF	10	60	0.05	2000	17	2.52MHz
AS0812-120K-LF	12	60	0.05	1800	15	2.52MHz
AS0812-150K-LF	15	70	0.06	1500	13	2.52MHz
AS0812-180K-LF	18	70	0.07	1400	11	2.52MHz
AS0812-220K-LF	22	70	0.08	1300	11	2.52MHz
AS0812-270K-LF	27	60	0.11	1200	10	2.52MHz
AS0812-330K-LF	33	60	0.12	1100	9.2	2.52MHz
AS0812-390K-LF	39	55	0.13	1000	9.0	2.52MHz
AS0812-470K-LF	47	50	0.14	900	7.0	2.52MHz
AS0812-560K-LF	56	50	0.16	800	6.8	2.52MHz
AS0812-680K-LF	68	50	0.21	700	6.1	2.52MHz
AS0812-820K-LF	82	50	0.24	600	6.0	2.52MHz
AS0812-101K-LF	100	50	0.30	400	4.0	796KHz
AS0812-121K-LF	120	45	0.34	400	4.0	796KHz
AS0812-151K-LF	150	45	0.48	350	3.8	796KHz
AS0812-181K-LF	180	45	0.55	350	3.2	796KHz



Axial Power Choke Coils - AS0812U SERIES



SPECIFICATION TABLE

PART NUMBER	INDUCTANCE (μ H)	Q (min)	DCR (Ω) (max)	IDC (mA) (max)	SRF(MHz) (min)	TEST FREQ. (Freq.)
AS0812-221K-LF	220	40	0.62	350	3.2	796KHz
AS0812-271K-LF	270	35	0.69	300	2.7	796KHz
AS0812-331K-LF	330	35	0.78	300	2.8	796KHz
AS0812-391K-LF	390	35	1.4	250	2.3	796KHz
AS0812-471K-LF	470	35	1.6	250	2.1	796KHz
AS0812-561K-LF	560	30	1.7	200	2.0	796KHz
AS0812-681K-LF	680	30	2.0	180	1.9	796KHz
AS0812-821K-LF	820	25	2.4	150	1.9	796KHz
AS0812-102K-LF	1000	35	2.4	100	1.5	252KHz
AS0812-122K-LF	1200	40	2.4	100	1.4	252KHz
AS0812-152K-LF	1500	40	2.5	80	1.3	252KHz
AS0812-182K-LF	1800	45	3.4	70	1.1	252KHz
AS0812-222K-LF	2200	45	3.8	60	1.0	252KHz
AS0812-272K-LF	2700	50	4.9	60	0.9	252KHz
AS0812-332K-LF	3300	50	5.7	50	0.8	252KHz
AS0812-392K-LF	3900	45	6.3	50	0.8	252KHz
AS0812-472K-LF	4700	40	7.3	50	0.8	252KHz
AS0812-562K-LF	5600	55	11	40	0.6	252KHz
AS0812-682K-LF	6800	50	12	40	0.5	252KHz
AS0812-822K-LF	8200	45	14	40	0.5	252KHz
AS0812-103K-LF	10000	65	22	35	0.4	79.6KHz
AS0812-123K-LF	12000	65	24	35	0.4	79.6KHz
AS0812-153K-LF	15000	65	29	35	0.3	79.6KHz
AS0812-183K-LF	18000	65	32	35	0.3	79.6KHz
AS0812-223K-LF	22000	60	47	30	0.3	79.6KHz
AS0812-273K-LF	27000	55	54	30	0.2	79.6KHz
AS0812-333K-LF	33000	55	62	25	0.2	79.6KHz
AS0812-393K-LF	39000	50	69	25	0.2	79.6KHz